

SERVICING

Periodic cleaning of the inside of the dryer is recommended to prevent a build-up of dirt and fibres. With the power disconnected and the cover removed a soft brush can be used to dislodge any debris. An inlet filter is fitted to prevent debris from entering the motor. This filter can be removed and replaced by pulling upward as shown. (Fig.7) Replacement is the reversal of removal.

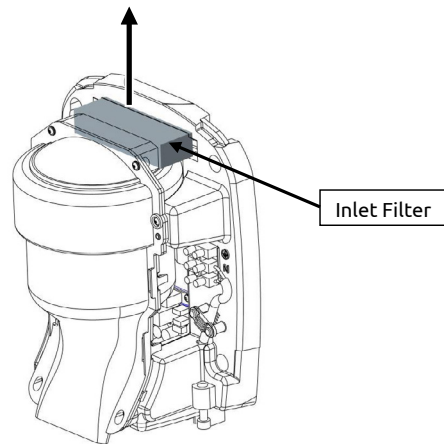
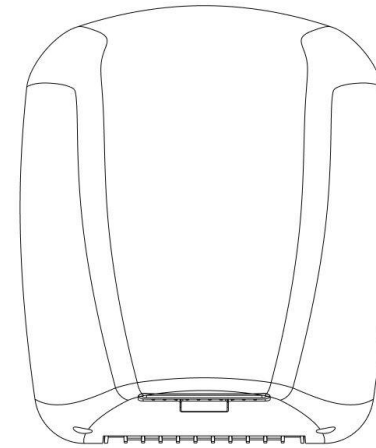


Fig.7

TABLE 1	
Recommended mounting heights from floor to dryer bottom surface (mm)	
Men's Washroom	1168
Women's Washroom	1118
Children's Washroom (Aged 4-7)	812
Children's Washroom (Aged 7-10)	914
Children's Washroom (Aged 10-14)	1016
Children's Washroom (Aged 14-17)	1118
Disabled Mounting Height	1016

051249-A

WARNER HOWARD EL600



DESCRIPTION:

High speed hand dryer powered by universal brush motor, delivering 600 Watts of drying power. This hand dryer runs on 230 Volts ac electrical supply. An infrared sensor is used to automatically turn the dryer on and off. This model is intended for use in commercial, industrial, office and public facility environments.

SPECIFICATION:

Rating: 600W at 230V ac 50Hz
 Construction: ABS
 Dimensions (mm): 221x268x149
 Weight: 2.3 Kg

www.warnerhoward.co.uk

For further information please contact us on :

0370 850 4352 | sales@warnerhoward.co.uk | www.warnerhoward.co.uk

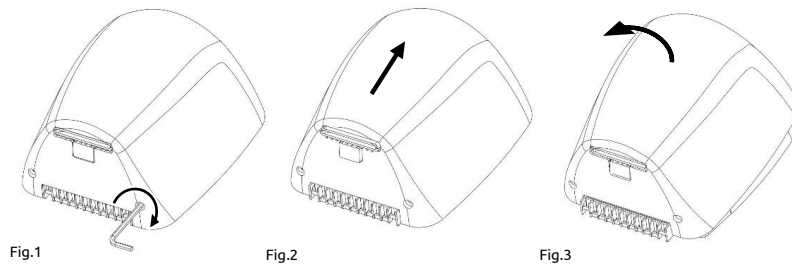
EL600 INSTRUCTIONS

SITING:

- Avoid positioning above lightly coloured or polished surfaces.
- Site carefully to avoid causing obstructions.

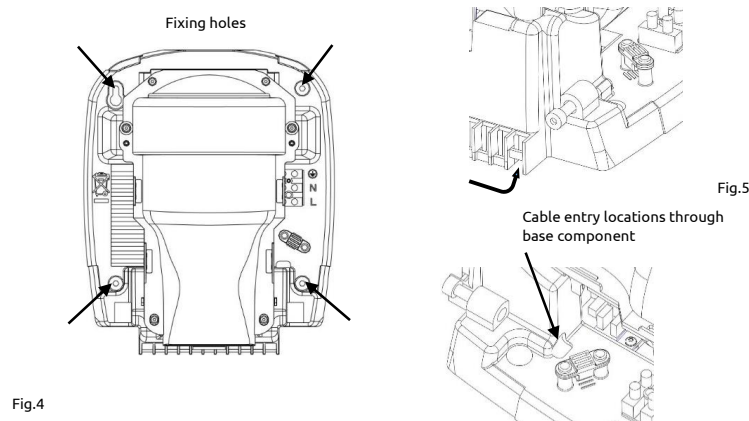
INSTALLATION:

Remove the cover assembly using the hex key as shown. (Fig.1) Turn the 2 mounting screws fully **clockwise** then slide the assembly forward in the direction shown. (Fig.2) The cover assembly can now be removed from its backplate by rotating forward as shown. (Fig.3)



FIXING

Place the hand dryer at the desired location. A guide for recommended mounting height is described in Table 1. Using the backplate as a template, mark the position of the four fixing holes (Fig.4). Note; a keyhole slot is provided to aid installation. Drill the wall to accept the plugs and screws provided. Make provision for the electrical supply.



WIRING

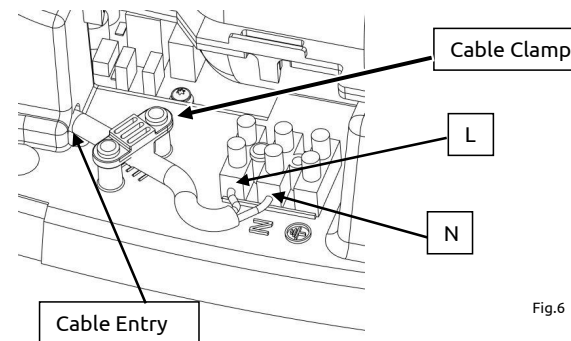
The hand dryer must be connected to the supply via a fused, double-pole isolating switch having a contact separation of at least 3mm in all poles.

- Feed the supply cable through the entry hole in the dryer base as shown. (Fig.5)
- Attach the dryer to the wall ensuring that it is secure.
- Connect the supply conductors as follows:

BROWN wire to the terminal marked **L**

BLUE wire to the terminal marked **N**

- Secure the cable beneath the cable clamp. Ensure that the clamp bears only on the outer sheathing (Fig.6)



NOTE: This is a class 2 insulated product and does not require earth bonding. The terminal connector has the facility to 'park' an earth conductor if one is present.

COVER RE-FITTING

Installation is now complete and the cover should be replaced.

- Locate the cover assembly onto the backplate and slide downward into position. This is the reversal of the installation process in Fig's 1, 2 & 3.
- Secure the cover assembly by rotating the 2 mounting screws **anti-clockwise**. **DO NOT OVER TIGHTEN.**

TESTING

- Switch on at the supply
- Place hands beneath the dryer. The dryer should start automatically.
- When the hands are removed the dryer should stop within a few seconds.

For further information please contact us on :

0370 850 4352 | sales@warnerhoward.co.uk | www.warnerhoward.co.uk